

# KOMATSU

## WB93R-8

*EU Stage IV Engine*

**RIGID BACKHOE LOADER**

**PRELIMINARY**



# WB93R

**ENGINE POWER**

75 kW / 102 HP @ 2.300 rpm

**OPERATING WEIGHT**

8.130 kg

**STD. BUCKET CAPACITY**

1,0 m<sup>3</sup> (4×1 bucket)

# Walk-Around

**INCREASED EFFICIENCY AND  
ENVIRONMENTAL PERFORMANCE**

WB93R-8



### **Powerful and Environmentally Friendly**

- NEW** • Low consumption EU Stage IV engine
- NEW** • Up to 3% lower fuel consumption (vs. WB93R-5)
- NEW** • Viscous fan clutch
- NEW** • New monitoring system with Eco gauge
- E-mode improves fuel efficiency

### **First-Class Comfort**

- NEW** • New ergonomic switch layout for the operator console
- NEW** • Multi-function monitor with high resolution 7" LCD color display
- NEW** • Air-suspended operator seat (Standard)
- NEW** • Dial type fuel control and accelerator pedal
- NEW** • New styling, state-of-the-art Komatsu design
- NEW** • Hammer piping (Standard)

### **Safety First**

- NEW** • Anti-burst valves for stabilizers, boom and arm (Standard)
- NEW** • Emergency engine stop switch
- NEW** • Seat belt caution indicator
- Unrivaled front visibility thanks to lateral exhaust pipe

### **Easy Maintenance**

- NEW** • Easy refilling from ground level for hydraulic oil, Adblue® and fuel
- NEW** • Maintenance information displayed on the monitor

### **KOMTRAX**

- NEW** • Komatsu Wireless Monitoring System
- 3G mobile communications



*Lateral muffler and low front bonnet height guarantee unrivaled front visibility for operator*



*New 7" multi-function monitor with fuel consumption indications and 15 built-in languages*



*Exclusive parallel loader linkage*



*S-shaped boom makes operations easier when working close to obstacles and walls*



**ENGINE**

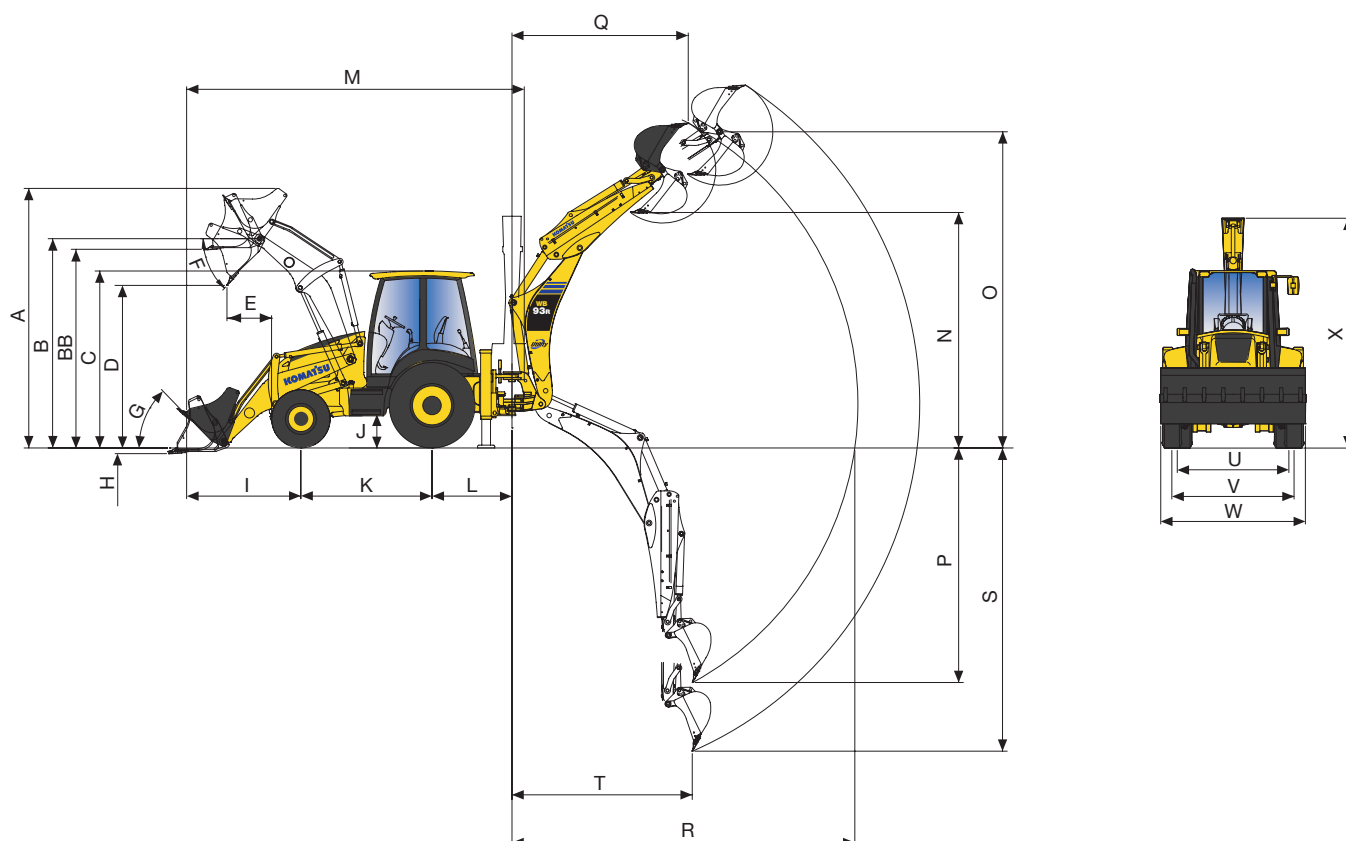
Type	Common rail direct injection, water-cooled, emissionised, turbocharged, after-cooled diesel
Engine power	
ISO 14396	75 kW / 102 HP
at rated engine speed	2.300 rpm
No. of cylinders	4
Displacement	3,4 l

**ENVIRONMENT**

Engine emissions	Fully complies with EU Stage IV exhaust emission regulations
------------------	--

**TRAVEL PERFORMANCE**

Turning radius over bucket	4.350 mm
Min. turning radius	3.200 mm
Max. travel speed	40 km/h



A	max height	4.290 mm
B	pin height	3.375 mm
BB	forks loading max height	3.175 mm
C	cab height	2.900 mm
D	max dumping height	2.720 mm
E	max dumping reach (45°)	750 mm
F	dumping angle	43°
G	rollback angle	45°
H	digging depth	130 mm
I	bucket reach (in transport)	1.930 mm
J	ground clearance	415 mm
K	wheel base	2.175 mm
L	backhoe swing centre distance	1.320 mm
M	transport length	6.035 mm
N	dumping height SAE	3.760 mm
	max dumping height	4.170 mm
	- with extended telescopic SAE	4.415 mm
	- with extended telescopic max	4.880 mm

O	max digging height	5.800 mm
	- with extended telescopic	6.405 mm
P	digging depth SAE	4.540 mm
	- with extended telescopic	5.650 mm
Q	reach at max height	2.830 mm
	- with extended telescopic	3.645 mm
R	max reach from swing centre	5.750 mm
	- with extended telescopic	6.715 mm
S	max digging depth	5.020 mm
	- with telescopic	6.055 mm
T	digging reach	2.320 mm
U	rear tread	1.800 mm
V	front tread	1.910 mm
W	overall width (with bucket)	2.340 mm
X	transport hoe height	3.650 mm
	- with telescopic	3.880 mm